

Bend angle PVC				
Pipe Size	11.25° (L)	22.5° (L)	45° (L)	90° (L)
4"				
6"				
8"				
10"				
12"				

Bend angle DIP				
Pipe Size	11.25° (L)	22.5° (L)	45° (L)	90° (L)
4"				
6"				
8"				
10"				
12"				

PVC				
Dead Ends				
Tees				
Cross				

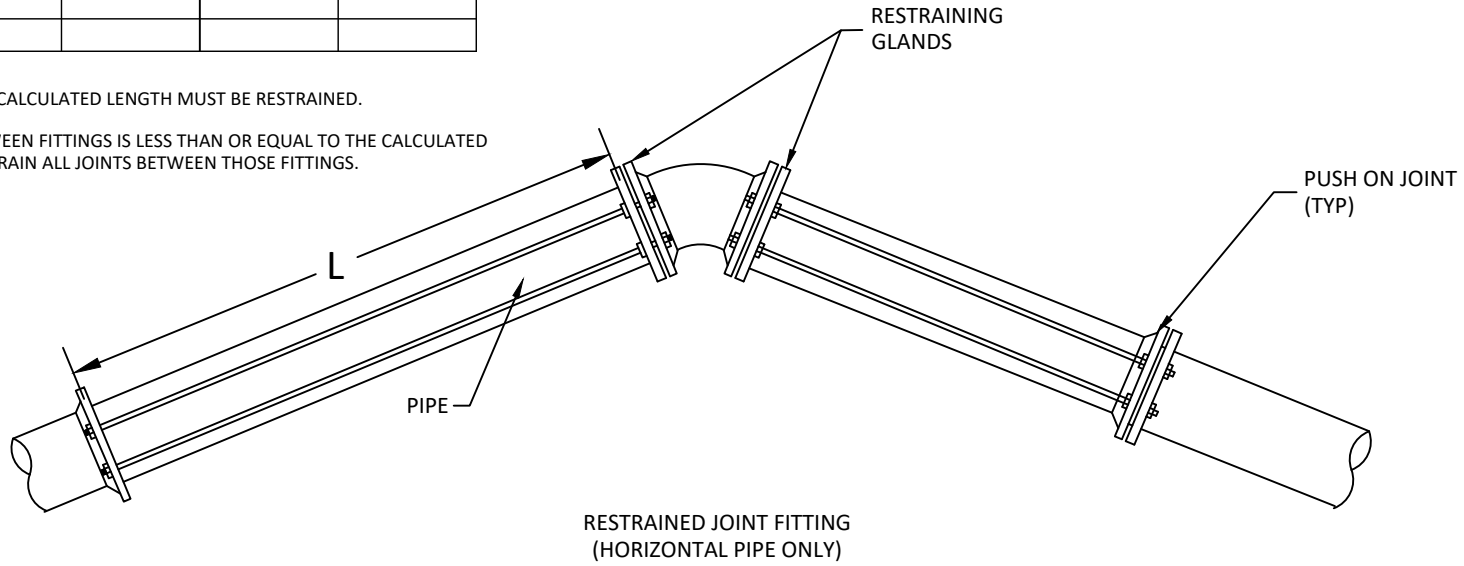
DIP				
Dead Ends				
Tees				
Cross				

Properties used for RJ Calculations:	
Pipe Material	
Soil Type	
Safety Factor	
Trench Type	
Depth of bury	
Test pressure	

NOTES:

*ALL JOINTS WITHIN THE CALCULATED LENGTH MUST BE RESTRAINED.

*IF YOUR DISTANCE BETWEEN FITTINGS IS LESS THAN OR EQUAL TO THE CALCULATED RESTRAINT LENGTH, RESTRAIN ALL JOINTS BETWEEN THOSE FITTINGS.



1. THE TABLE ABOVE SHOWS THE CONDITIONS THAT WERE USED TO CALCULATE THE RESTRAINED LENGTH FOR PIPES.
2. FOR DIP PUSH ON JOINTS GRIP RING TYPE PIPE MAY BE USED. FOR PVC PUSH ON JOINT HARNESS RESTRAINT (EBAA SERIES 1500 OR APPROVED EQUAL) FOR UP TO 12" PIPE, AND SERIES 2800 OR APPROVED EQUAL FOR 14" AND LARGER PIPE SHALL BE INSTALLED WITHIN THE MINIMUM DISTANCES (FROM BOTH SIDES OF FITTINGS) SPECIFIED IN THE TABLE ABOVE.
3. THE SUPPLY AND INSTALLATION OF THE HARNESS RESTRAINTS SHALL BE CONSIDERED INCIDENTAL TO THE PIPE INSTALLATION AND NO SEPARATE PAYMENT WILL BE MADE FOR HARNESS INSTALLATION.
4. ALL MATERIALS SHALL BE MANUFACTURED IN THE UNITED STATES.

DORCHESTER COUNTY WATER & SEWER	
RESTRAINED JOINT PIPE TABLE FOR SIZE AND TYPE OF PIPE	DRAWING: RJ-01
DATE: <u> JUNE 2024 </u>	DRAWN BY: <u> bjs </u>
SCALE: <u> NTS </u>	APPROVED BY: <u> JDC </u>